

INSTALLATION INSTRUCTIONS

Accessory

**INTERIOR TRIM KIT
P/N 08Z03-S6M-200**

Application

2003 RSX

Publications No.

BII 24456

Issue Date

SEP 2002

PARTS LIST

Left door handle trim



Right door handle trim



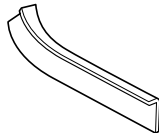
Right front console trim "A"



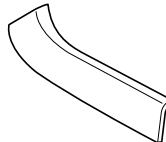
Left front console trim "A"



Right front console trim "B"



Left front console trim "B"



Right rear console trim



Left rear console trim



Outlet trim "A"
(marked "C" on the back)



Outlet trim "B"
(marked "D" on the back)



SUPPLIES REQUIRED

- Isopropyl alcohol
- Shop towel
- Masking tape

INSTALLATION

NOTE:

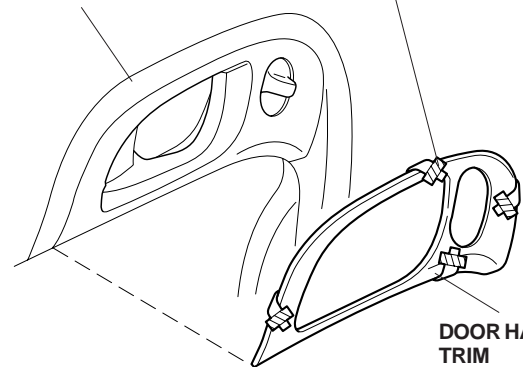
- Be careful not to damage the interior trim and the body paint finish.
 - This interior trim kit should be installed only if the ambient air temperature is 60°F (15°C) or above.
1. Using isopropyl alcohol on a shop towel, thoroughly clean the areas where the interior trims will attach.
 2. Attach a piece of masking tape to the end of each adhesive backing, and remove 5 to 6 inches of the adhesive backing from that end. Fold the ends up, and attach them to the front with masking tape. Remove the two small adhesive backings from the front ends (the right and left rear console trims only).
 3. Position the left door handle trim on the door handle, and carefully remove the adhesive backings from the trim while applying light pressure on the trim. After installing, hold the trim firmly against the door handle with the palm of your hand for 30 seconds, particularly at the edges.

Door Handle Trim:

ADHESIVE BACKINGS

(Attach a piece of masking tape to the ends, and remove 5 to 6 inches of the adhesive backings. Fold the ends up, and attach them to the front with masking tape.)

DOOR HANDLE

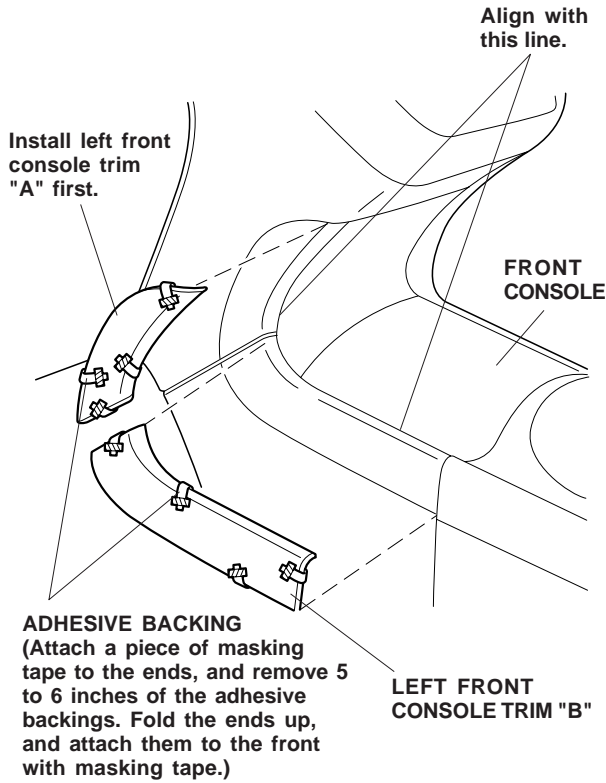


DOOR HANDLE TRIM

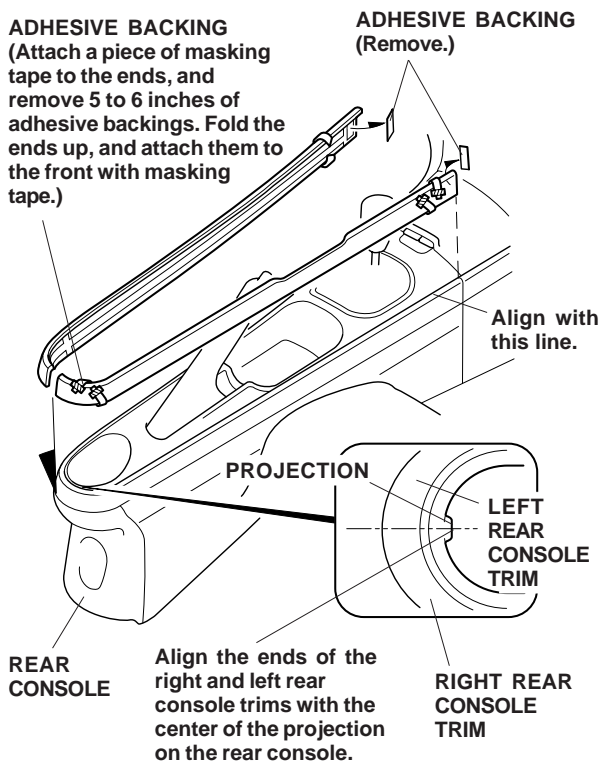
4. Install the right door handle trim using the same method.

- Remove the adhesive backings from the other trim panels, and install them in the order shown by using the same method as for the door handle trims.

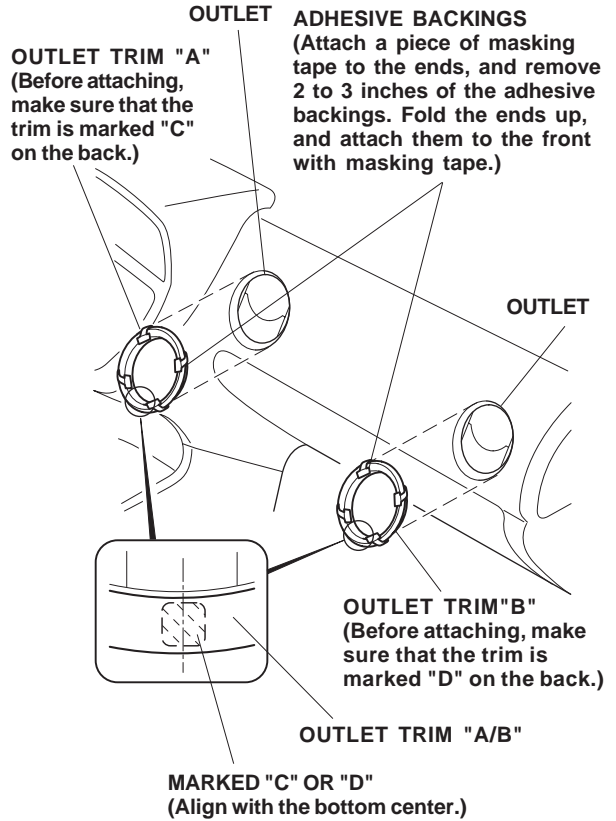
Front Console Trims "A" and "B":



Rear Console Trim:



Outlet Trim "A" and "B":



USE AND CARE

Use a soft cloth or sponge dampened with a mild detergent and water solution to clean the trim. Do not use polishing waxes containing abrasive compounds or degreasing agents to clean the trim.